



VALVES AND FITTINGS SUPPLIES

SIZE:1/2"-2"

2-PC DEADMAN BALL VALVE, FULL BORE, THREADED END, 1000 WOG

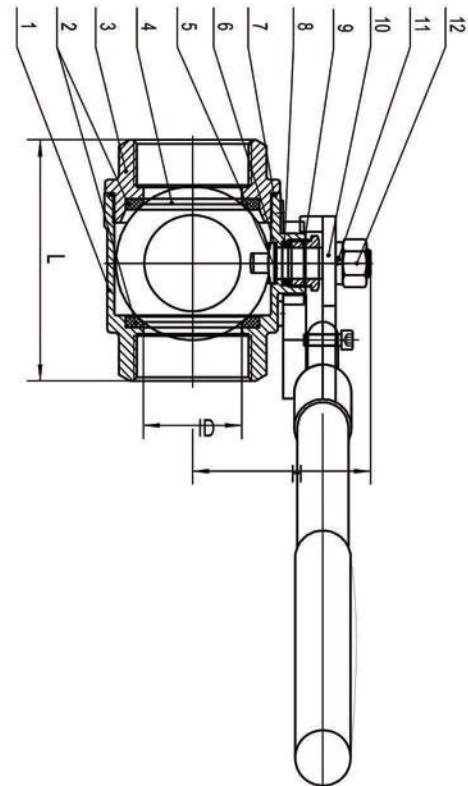
SP2PDEADMAN

- Investment Castings For Body And Cap
- Internal Entry Blow-Out Proof Stem
- Pressure Rating: 1000PSI (PN63)
- Threaded Ends: ANSI B2.1,BS 21,DIN 259/2999
- Material: 316
- Pressure Test : API 598



MATERIAL LIST

ITEM	PART	MATERIAL	QTY
1	BODY	CF8M	1
2	BALL SEAT	PTFE	2
3	BALL	CF8M	1
4	BODY SEAL	RPTFE	1
5	CAP	CF8M	1
6	STEM	SS316	1
7	THRUST WASHER	PTFE	1
8	PACKING	PTFE	1
9	GLAND NUT	SS304	1
10	HANDLE	SS304	1
11	WASHER	SS304	1
12	NUT	SS304	1
13	LOCK DEVICE	SS304	1
14	HANDLE COVER	PLASTIC	1



DIMENSION TABLE

SIZE		ID	L	H	W
DN	NPS				
15	1/2"	15	61	50	195
20	3/4"	20	72	55	195
25	1"	25	85	63	260
32	1-1/4"	32	100	70	260
40	1-1/2"	38	107	80	320
50	2"	50	123	85	320